

TLDCM7035 Series

DC COMMON MODE FILTER

Generls

This specification covers the engineering requirements for the TLDCM7035 Series (DC Common Mode Filter)

Features

- A chip-type common mode filter for large current applications. Noise is greatly suppressed.
- Height and size have been considered, resulting in a compact and light-weight choke coil. Applicable for the miniaturization required to reduce the size and weight of portable equipment.
- The products contain no lead and also support lead-free soldering.
- This product does not contain regulated substances that are slated to be included in RoHS.
- High reliability -Reliability tests comply with AEC-Q200

Applications

Used for power line noise suppression for any electronic devices
Used to counter adapter/battery line noise for relatively large electronic devices such as notebook PCs, stand-alone word processors, etc

Temperature Ranges

Operating	-40 to +125°C
Storage(After mount)	-40 to +125°C

Part Number System

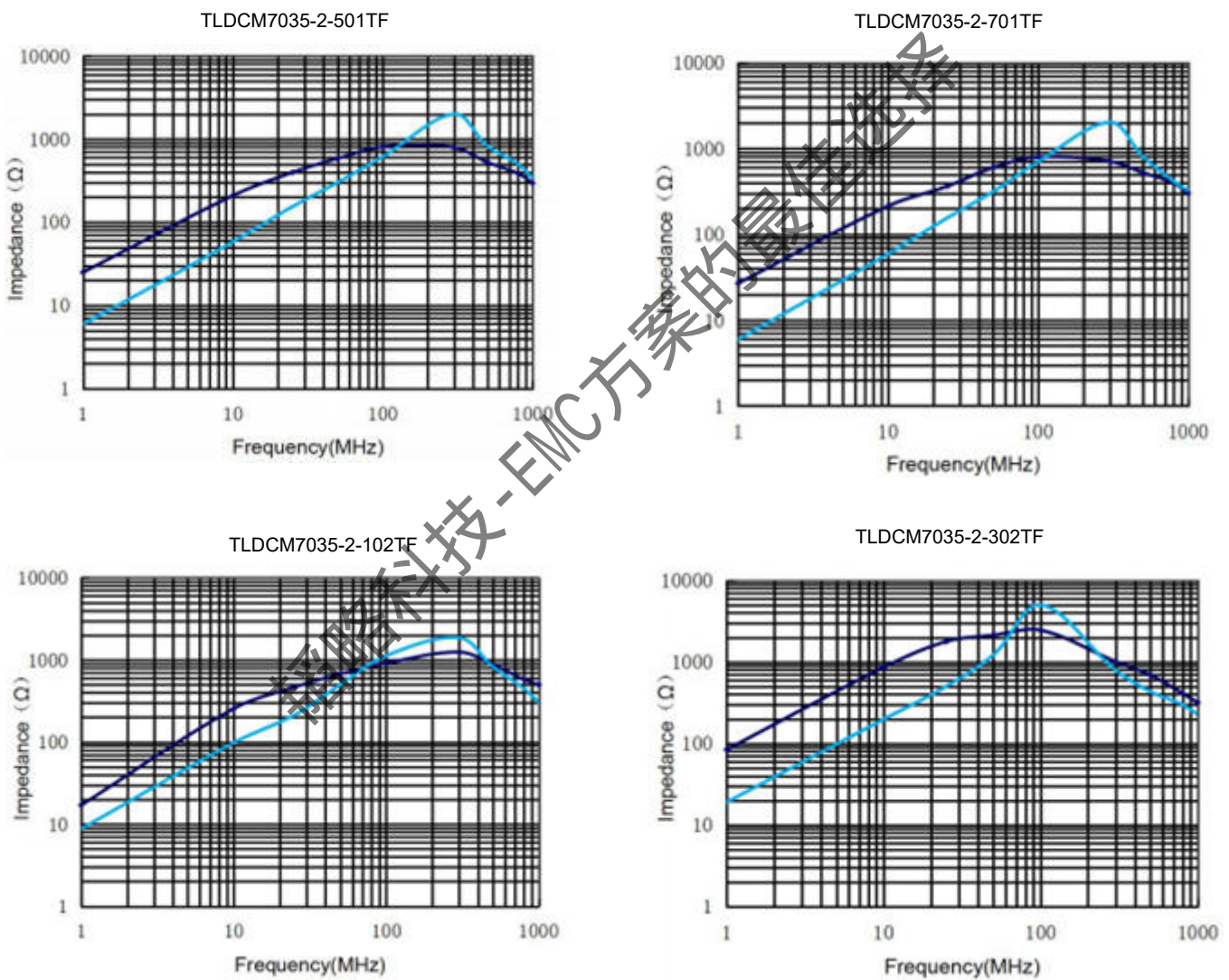
TLDCM **7035** **-2** **-501** **T** **F**
① ② ③ ④ ⑤ ⑥

- ① Type: TLDCM
- ② External Dimensions (L×H) (mm) 7.0mmX3.5mm
- ③ Number of Lines: 2
- ④ Impedance : 501=500Ω
- ⑤ Packing: Tape & Reel
- ⑥ Hazardous Substance Free Products : F

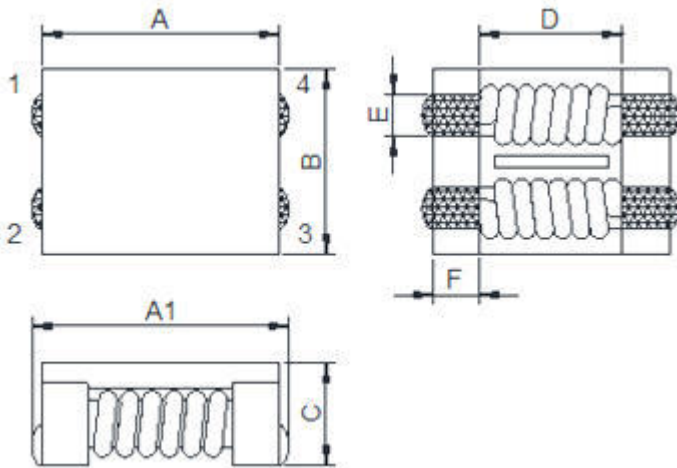
Electrical Characteristics

Part Number 型号	Common Mode Impedance @100MHz 共模阻抗	Max. DC Resistance 直流电阻	Max. Rated Current 额定电流	Rated Voltage 额定电压	Min. Insulation Resistance 绝缘电阻
Units 单位	Ω	$m\Omega$	A	Volts	$M\Omega$
Symbol 符号	Z	DCR	I_r	V_{DC}	IR
TLDCM7035-2-501TF	500	10	5.0	125	10
TLDCM7035-2-701TF	700	15	4.0	125	10
TLDCM7035-2-102TF	1000	17	3.0	125	10
TLDCM7035-2-302TF	3000	75	0.9	125	10

Characteristics(Reference)

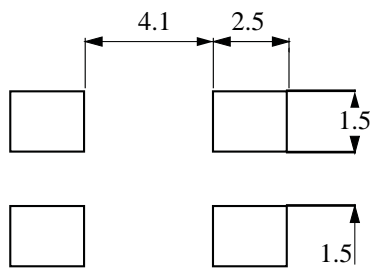


Dimension

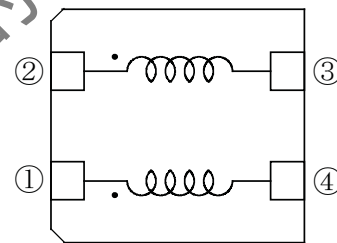


TYPE	TLDCM7035
A	7.0±0.5
A1	7.5±0.5
B	6.0±0.5
C	3.8Max
D	3.5Typ
E	1.5Typ
F	1.7Typ

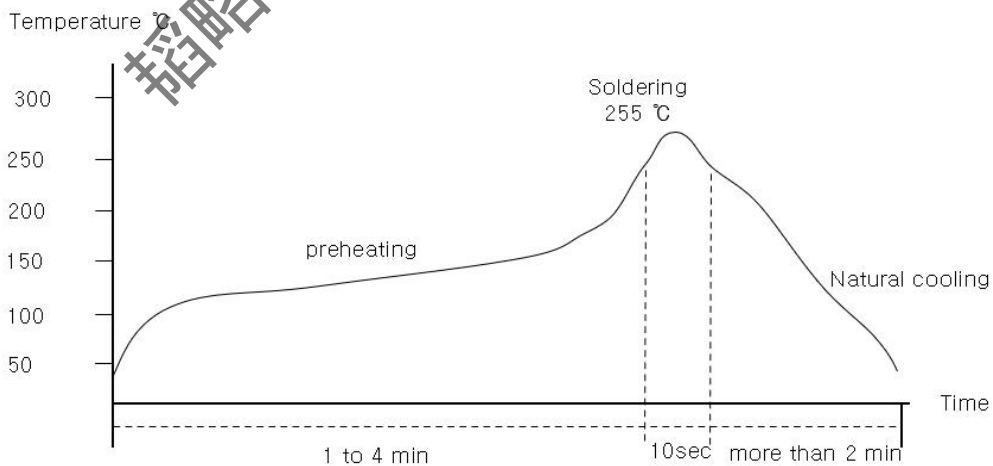
Land Pattern (mm)



Schematics (Bottom)



Reflow Profile For Solder Heat Resistance



CONTACT INFORMATION

SHENZHEN TOP-FLIGHT TECHNOLOGY CO.,LTD

4th Floor, C Building, Quansen Industrial Park , Bulong Road, Longhua New District, Shenzhen

Tel: 86 -755- 82908191 Fax: 86-755- 82908701 Email: kang@topleve.com

Website: <http://www.topleve.com>