

TLDCM7978-2-501TF

DC COMMON MODE FILTER

TOP-EMC

GENERALS

This specification covers the engineering requirements for the TLDCM7978-2-501TF (DC Common Mode Filter)

FEATURES

- A chip-type common mode filter for large current applications. Common mode impedance surpasses 500Ω at 100MHz. Noise is greatly suppressed.
- Capable of handling the highest current (up to 4.5A) of any chip-type common mode filter.
- Height and size have been considered, resulting in a compact and light-weight choke coil. Applicable for the miniaturization required to reduce the size and weight of portable equipment.
- The products contain no lead and also support lead-free soldering.
- This product does not contain regulated substances that are slated to be included in RoHS.



APPLICATIONS

Used for power line noise suppression for any electronic devices
Used to counter adapter/battery line noise for relatively large electronic devices such as notebook PCs, stand-alone word processors, etc

TEMPERATURE RANGES

Operating	-40 to +125°C
Storage(After mount)	-40 to +125°C

Part Number System

TLDCM 7978 -2 -501 I F
① ② ③ ④ ⑤ ⑥

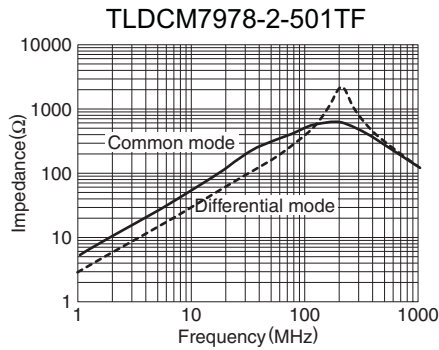
- ① Type:TLDCM
- ② External Dimensions (L×W) (mm) :7.9×7.8mm
- ③ Number of Lines: 2
- ④ Impedance : 501=500Ω
- ⑤ Packing: Tape & Reel
- ⑥ Hazardous Substance Free Products :F

ELECTRICAL CHARACTERISTICS

Part No.	Impedance (Ω)[at 100MHz]	DC resistance (mΩ)max.	Rated current Idc(A)max.	Rated Voltage (v)max.	Insulation resistance (MΩ)min.
TLDCM7978-2-501TF	500(min)	15	4.5A	50	10

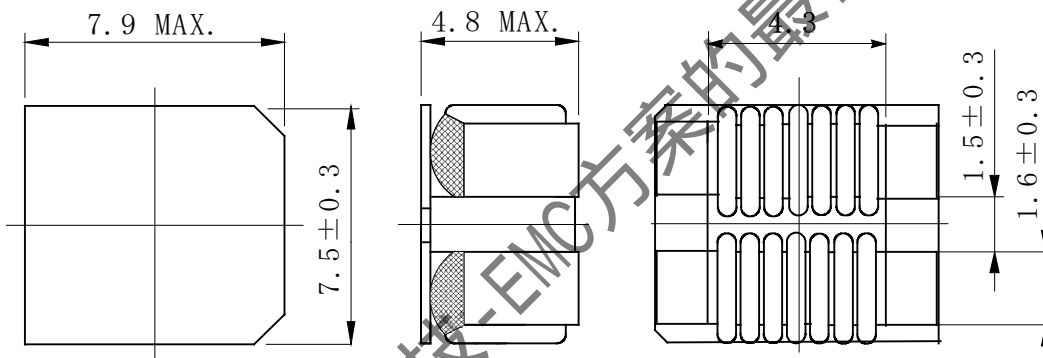
1/2

TYPICAL ELECTRICAL CHARACTERISTICS
IMPEDANCE vs. FREQUENCY CHARACTERISTICS

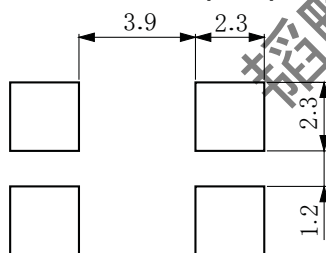


SHAPES AND DIMENSIONS/CIRCUIT DIAGRAM/RECOMMENDED PC BOARD PATTERN(REFLOW SOLDERING)

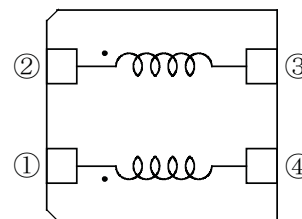
◆ **Dimensions (mm)**



◆ **Land Pattern (mm)**



◆ **Schematics (Bottom)**



CONTACT INFORMATION

SHENZHEN TOP-FLIGHT TECHNOLOGY CO.,LTD

4th Floor, C Building, Quansen Industrial Park , Bulong Road, Longhua New District, Shenzhen

Tel: 86 -755- 82908191 Fax: 86-755- 82908701 Email: kang@topleve.com

Website: <http://www.topleve.com>