

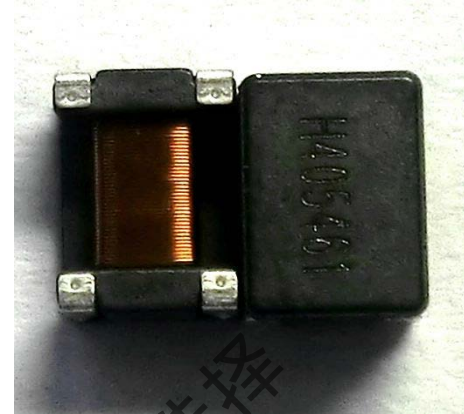
TLCMI Series

Wire Wound Common Mode Filter

TOP-EMC

1. Feature

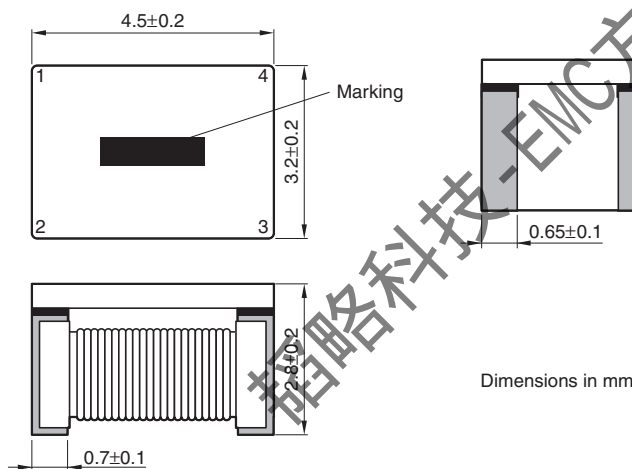
- Winding type realizes small size and low profile
- Prevention of common mode noise at high Frequency
- $600\Omega \sim 5800\Omega$ are optional for different noise level and signal frequency
- Excellent soldering heat resistance
- Operating Temp: $-40^{\circ}\text{C} \sim +150^{\circ}\text{C}$



2. Application

- CAN-BUS
- Fax AND ISDN
- Modem ,etc

3. Shape And Dimensions

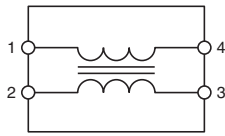


4. Part Number System

TLCMI 4532 -2 -601 T F
① ② ③ ④ ⑤ ⑥

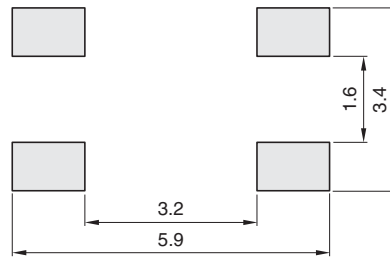
- ① Type:TLCMI
- ② External Dimensions (L×W) (mm)4.5x3.2
- ③ Number of Lines:2
- ④ Impedance:601=600Ω
- ⑤ Packing :Tape & Reel
- ⑥ Hazardous Substance Free Products : F

5. Equivalent Circuit



• No polarity

Land Pattern



Dimensions in mm

6. Specifications

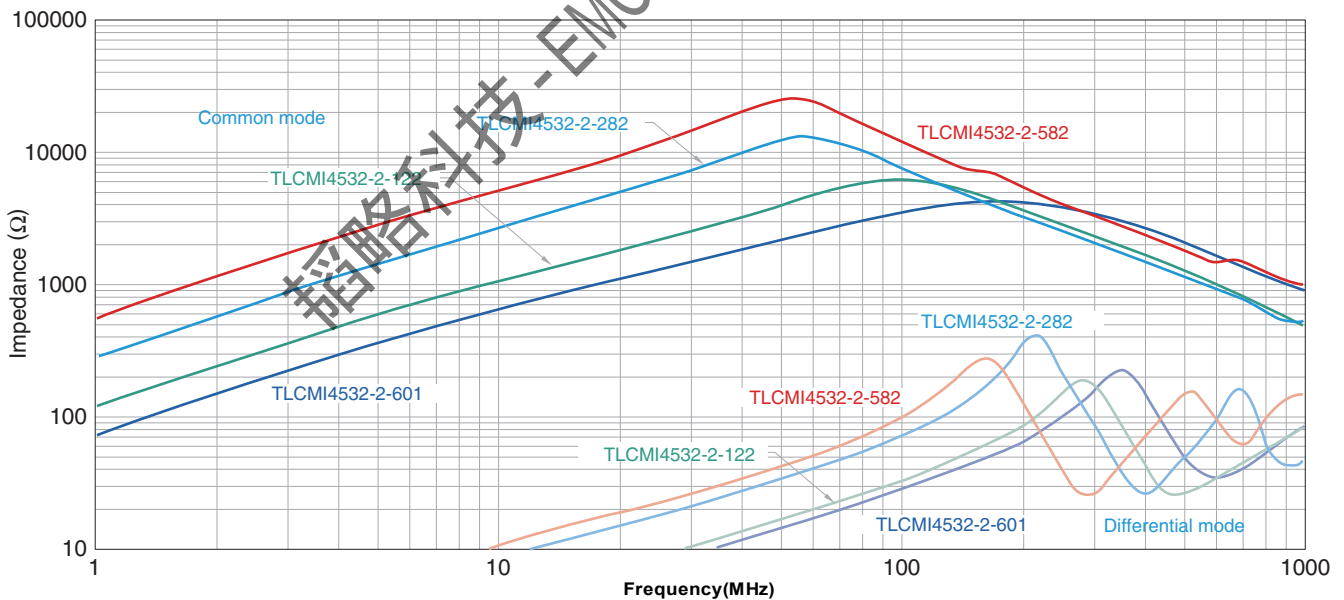
TLCMI4532 TYPE

Part Number 型号	Common Mode Impedance @10MHz 共模阻抗	Max. DC Resistance 直流电阻	Max. Rated Current 额定电流	Rated Voltage 额定电压	Min. Insulation Resistance 绝缘电阻
Units 单位	Ω	Ω	mA	Volts	M Ω
Symbol 符号	Z	DCR	I _r	V _{DC}	IR
TLCMI4532-2-601TF	600	0.60	250	50	10
TLCMI4532-2-122TF	1200	1.00	200	50	10
TLCMI4532-2-282TF	2800	1.00	200	50	10
TLCMI4532-2-582TF	5800	2.00	150	50	10

※ Products with other electrical characteristics can be provided upon customer's request. Please contact your local sales.

7. Typical Electrical Characteristics

TLCMI4532 TYPE



CONTACT INFORMATION

SHENZHEN TOP-FLIGHT TECHNOLOGY CO.,LTD

4th Floor, C Building, Quansen Industrial Park , Bulong Road, Longhua New District,
Shenzhen Tel: 86 -755- 82908191 Fax: 86-755- 82908701 Email: kang@topleve.com

Website: <http://www.topleve.com>