

# TF0806A2X Series

## COMMON MODE FILTER

TOP-EMC

### ■ Generals

- This specification covers the engineering requirements for the TF0806A2X Series (Common Mode Filter)

### ■ Features

- Small size and low-profile  
( L 0.85 mm × W 0.65 mm × H 0.45 mm )
- Filtering the noise of high-speed differential signaling lines and minimizing deformations of transmitted signal waveforms
- Low DC resistance and insertion loss
- High-Q filters with high impedance at around 1 GHz  
: CG type
- Rigidly layered and sintered structure with high resistance to reflow heat and mounting reliability
- Lead, halogen, and antimony free
- RoHS compliant

### ■ Recommended Applications

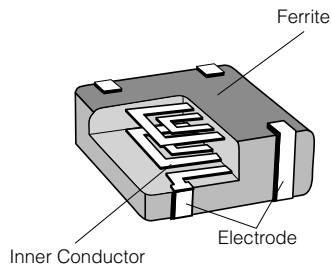
- Mobile phone, DSC, notebook PCs and Digital displays
- Noise suppression of high-speed data lines such as USB, LVDS and HDMI lines

### ■ Explanation of Part Numbers

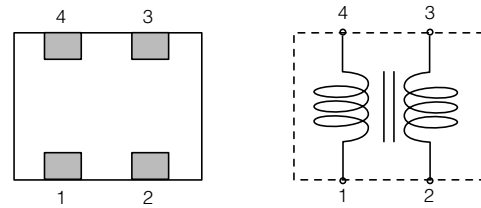
$\frac{T}{①}$   $\frac{F}{②}$   $\frac{0806A}{③}$   $\frac{2X}{④}$   $\frac{900}{⑤}$   $\frac{M}{⑥}$   $\frac{T}{⑦}$

- ① Company Name: TOP-EMC
- ② Product Function: Filter
- ③ Dimensions, 0.85mm (L)×0.65mm (W)
- ④ Number of lines, 2X = 2 lines
- ⑤ Common Mode Impedance (at 100MHz), 900= 90Ω
- ⑥ Tolerance of common mode impedance, M=±25%
- ⑦ Packing Tape & Reel

## Construction

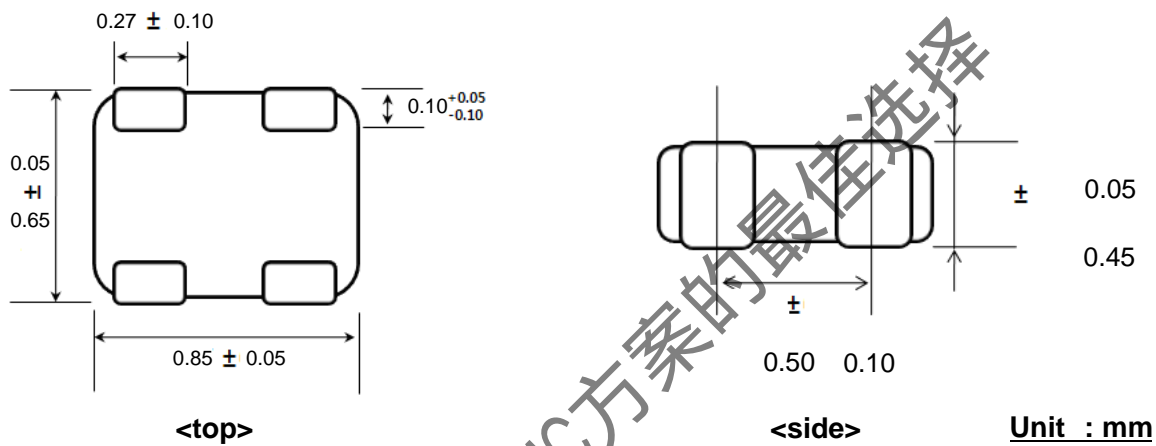


## Circuit Configuration (No Polarity)

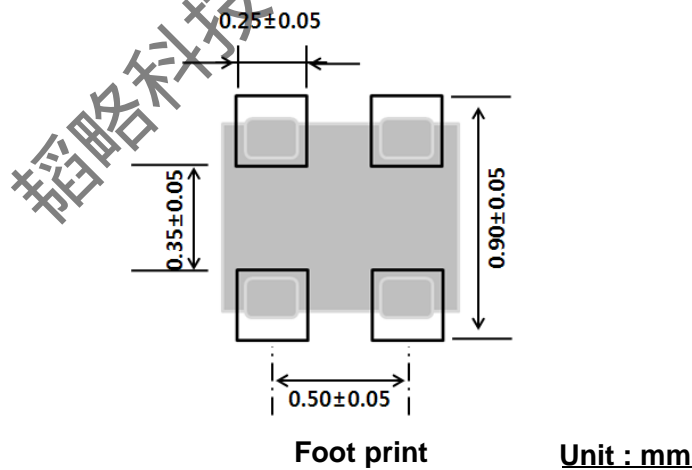


\*The pin numbers shown here are for reference purposes only. Confirm the actual pin number arrangement with the exchanged specification documents.

## Appearance and Dimension



## Recommended Foot Print



## OPERATING TEMPERATURE

DESCRIPTION	REQUIREMENTS
Operating Temperature	-40°C ~ + 85°C

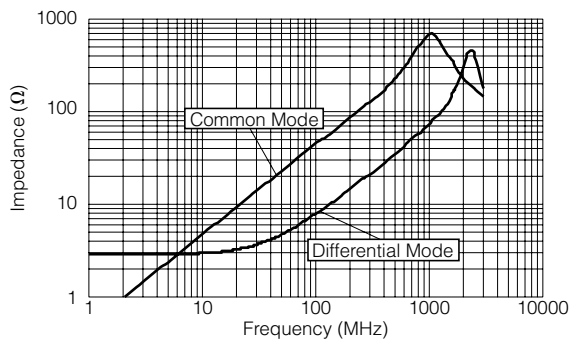
# TF0806A2X Series

## ■ Electrical Characteristics

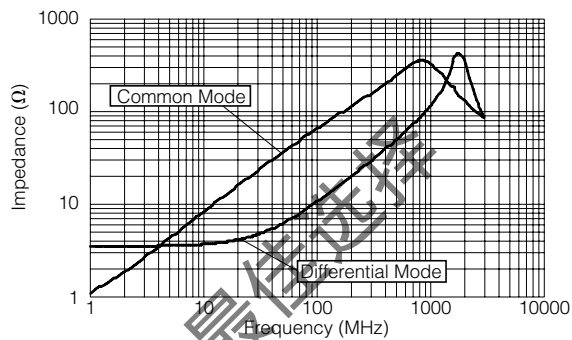
Part Number	Impedance ( $\Omega$ ) at 100 MHz		Rated Voltage (V DC)	Rated Current (mA DC)	DC Resistance ( $\Omega$ )max.
	Common Mode	Differential Mode			
TF0806A2X430MT	43 $\Omega$ $\pm$ 25 %	15 $\Omega$ max.	5	100	2.7
TF0806A2X670MT	67 $\Omega$ $\pm$ 25%	20 $\Omega$ max.	5	130	2.5
TF0806A2X900MT	90 $\Omega$ $\pm$ 25 %	20 $\Omega$ max.	5	130	2.5

## ■ Impedance Characteristics (Typical)

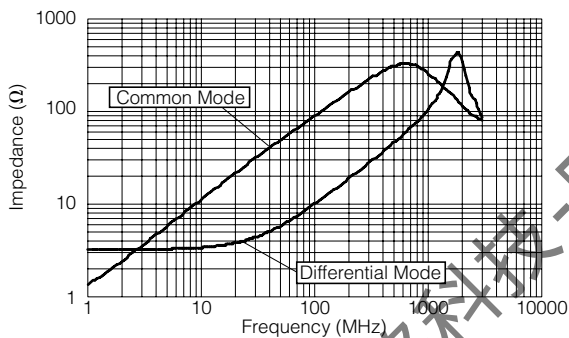
### ● TF0806A2X430MT



### ● TF0806A2X670MT

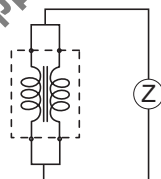


### ● TF0806A2X900MT

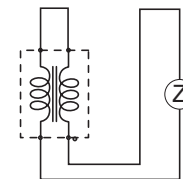


### ● Measurement Circuit

(A) Common Mode



(B) Differential Mode



## ■ Contact Information

**SHENZHEN TOP-FLIGHT TECHNOLOGY CO.,LTD**

4th Floor, C Building, Quansen Industrial Park, Bulong Road, Longhua New District, Shenzhen

Tel: 86-755-82908191 Fax: 86-755-82908701 Email: kang@topleve.com

Website: <http://www.topleve.com>